

System 32® Roller System Components

Louvolute System 32® Roller Blind System

Hardware specification

System 32® Roller System

Roller Blinds should be manufactured using the Louvolute System 32® Roller Blind mechanism with specifically designed grooved 32mm aluminium tubing. The specified fabrics should be formed into and held into the tube with locking tape. The side control units should be manufactured in the UK and made from glass filled Nylon 6, with an acetal sprocket and sprocket guard and include a locking spring. The operating chain should be No.10 size in metal to ensure reliable performance. The brackets used should be made from mild steel, zinc plated and powder coated and be suitable for top or face fixing. A spring plunger end mechanism should be located at the opposite end to the control mechanism. The side control unit should be fitted with a centre plug that ensures the mechanism operates smoothly even under extreme loads.

System 32® Guide Wire Roller Blind System

Roller Blinds with guide wires should be manufactured as per the standard Louvolute System 32® and include dedicated brackets, PVC coated wire and glass filled nylon plastic base or side fixing units.

System 32® Cassette Roller Blind System

Roller Blinds with Cassettes should be manufactured as per the standard Louvolute System 32® and include the specially designed powder coated cassette system with dedicated top or face fix brackets. On specification the user has the choice between a single coloured extrusion in dedicated colours or a fascia which will incorporate the same fabric or contrasting fabric used on the roller blind.

Performance

To ensure a positive performance, all Louvolute Roller System units are manufactured in the UK using prime quality plastic materials and a dedicated steel locking spring. The sidewinders will lock into the bracket with the unique bracket securing pin for safety after installation. 10 year life cycle testing is done to ensure long lasting performance. The units will accept both metal or plastic rotation chain providing a smooth operation of the blinds.

Operation

Operation is with No.10 metal or plastic rotation chain to raise and lower the blinds. It is recommended that where children may be present that the chain is fitted with easy-break connectors or cord tidy devices.

Bottom Bar

The bottom bar should be either aluminium or plastic and covered with fabric. Silver or white round bottom bars are available with the fabric formed and locked into the top part to leave the bar exposed.

Maintenance

All of the System 32® Roller Blind System components are manufactured using aluminium and plastic. They do not present any corrosion problems in normal environments. The system has been designed for a smooth operation, together with a rigidity to prolong the window blind's working life. Manufacturing guidelines for the size restrictions for each model are included in this specification brochure.

Your Louvolute System 32® Distributor:

Part Code: S250102-32 2501.13



ARCHITECTS
SPECIFIERS
CONTRACTORS

- The Louvolute System 32® Roller Blind System can satisfy most window types with a variety of models to suit the different sizes of blinds
- Manufactured in the UK using quality materials such as aluminium, mild steel, acetal and glass filled nylon plastics
- All Louvolute Systems are 10 year life cycle tested
- Unique bracket securing pin for safety after installation
- Brackets available in white, cream, black and grey
- Cassette systems available in white, cream, grey or black finish or with the ability to co-ordinate with fabric
- Guide-wire system is available to hold fabric parallel to the window when the blind is operated



CISIB 1976 reference by SIB Agency			
(76.7)	X		

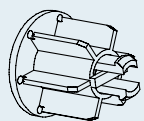
Control End - System 32®



Patented universal side control operating unit featuring stainless steel wrap spring clutch mechanism. The control end unit features a locking feature to secure the unit into the bracket.
Available in a variety of colours.

Product specification
Sprocket / sprocket guard acetal
Other parts glass filled nylon 6
Spring lock friction system
Unique bracket securing pin
Choice of nylon or metal chain drive
Colour: white, cream, brown, grey or black

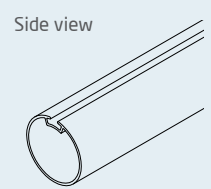
Plunger End - System 32®



Plunger end System
A sprung loaded plunger end allows for quick and easy installation by a single individual, even on larger blinds.

Product specification
Nylon 6
Colour: white, cream, brown, grey or black

Standard Tube - System 32®



Tempered aluminium tube is used to ensure a high degree of torsional strength. The design allows for full integration of the selected fabric and also provides maximum resistance to tube deflection.

Product specification
100% aluminium
Lengths: 5m (5.5 yard) maximum

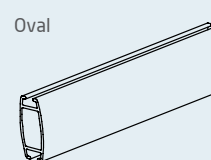
End views



System 32®

System 32: Outside diameter: 32mm (1 1/4"), wall thickness: 1.05mm (1/32"), fabric locating slot: 1, strengthening fin: 4mm (5/32")

Bottom Bar



Oval and round rails are available in aluminium in both anodised or white finish. The oval range is also available in UPVC with white, beige or clear finish.

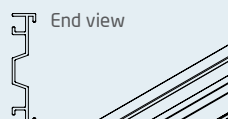
The design of the rails allows for concealed and secure location of the selected fabric. Wooden bottom rails can be fixed to the fabric for decorative or co-ordinating effect.

Product specification
Lengths: 5m (5.5 yard)
Overall dimensions oval: 15x30 mm
Outside diameter round: 23mm
Wall thickness - oval: 1.2 mm, round: 1.25mm

Circular



Back Bar Mounting Plate

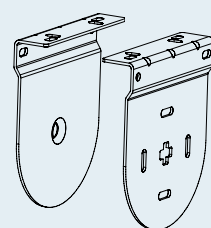


The back bar mounting plate is available for use with System 32® operating system and allows for ease of installation at sites where conventional installation options might be difficult.

Product specification
100% aluminium
Colour: white

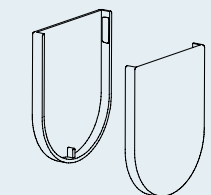


Brackets (metal) and Bracket Covers



Mounting Brackets
Stove enamelled finish to galvanised steel. The mounting brackets are designed to allow top, face or side fix installations. The bracket design enables quick and simple installation whilst minimising the light gap between the blind and any recess.

Brackets are available in metal and plastic. Extension brackets are available if required. Brackets are colour keyed to operating system colour. Covers for the mounting brackets are available to suit each size.

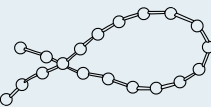


Product specification
Universal fixing points: side, face or top fix
Mild steel, zinc plated and powder coated
Thickness: 1.5 mm
20mm wide fixing plate
Colour: white, cream, brown, grey or black

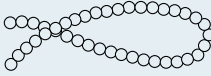
Bracket covers
Available to suit each colour of bracket above

Product specification
Glass filled nylon
Colour: white, cream, brown, grey or black

Chain



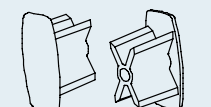
Available in nickel plated brass, stainless steel or plastic. The pitch of the operating chain is designed to provide a smooth and silent operation. Available in a variety of colours, each chain system has a variety of connector units to allow for child safe operation where required.



Product specification
Acetal ball - colour: white or brown
Zinc plated - colour: silver or gold
Stainless steel
Easy break chain connector for child safety

Bottom Bar End Caps (oval or circular)

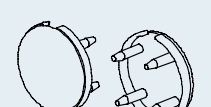
Oval



Co-ordinating end caps apply the appropriate finish to the bottom rail assembly.

Product specification
Oval: nylon / polypropylene
Colour: white, beige or clear

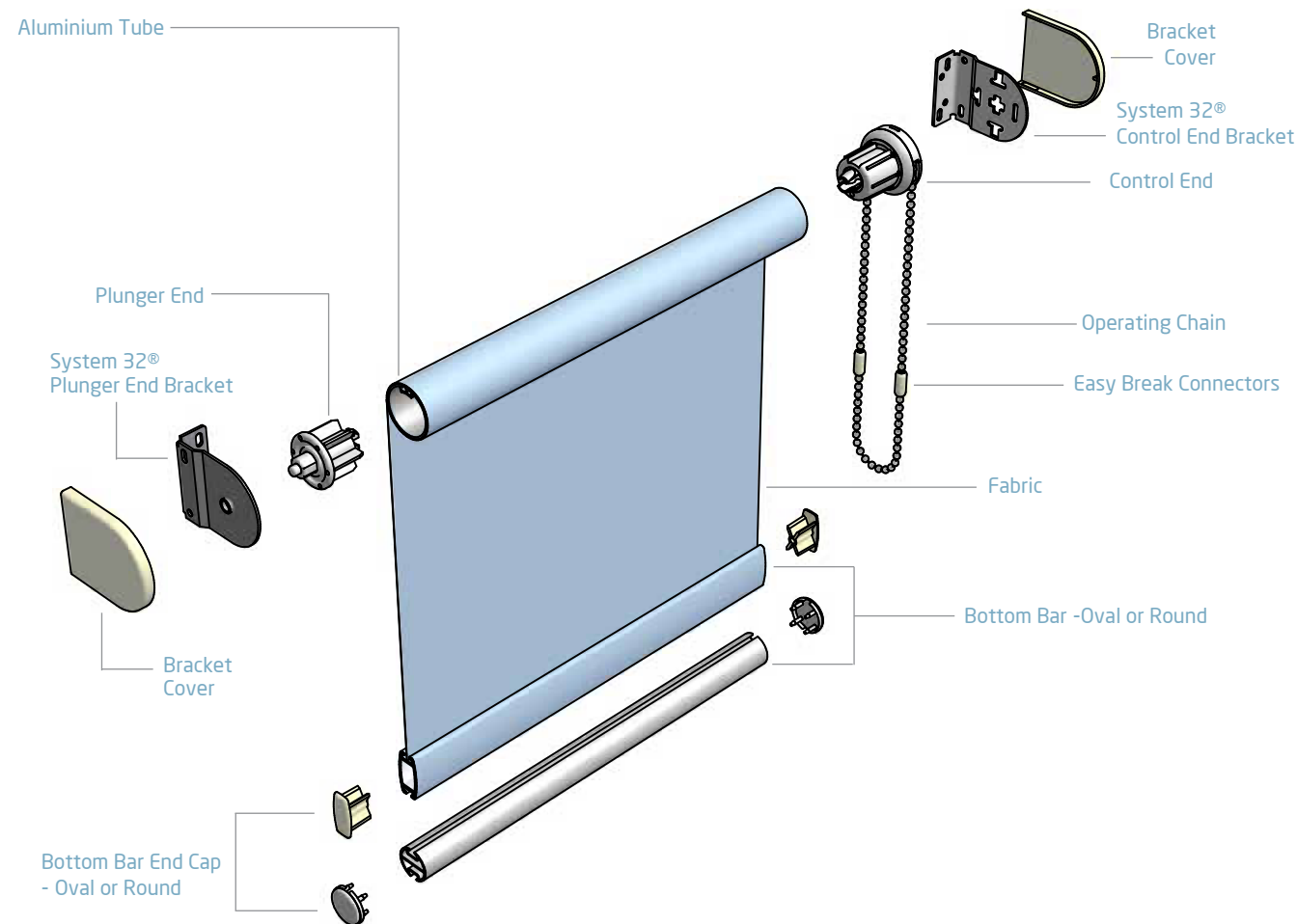
Circular



Circular: nylon
Colour: white or grey

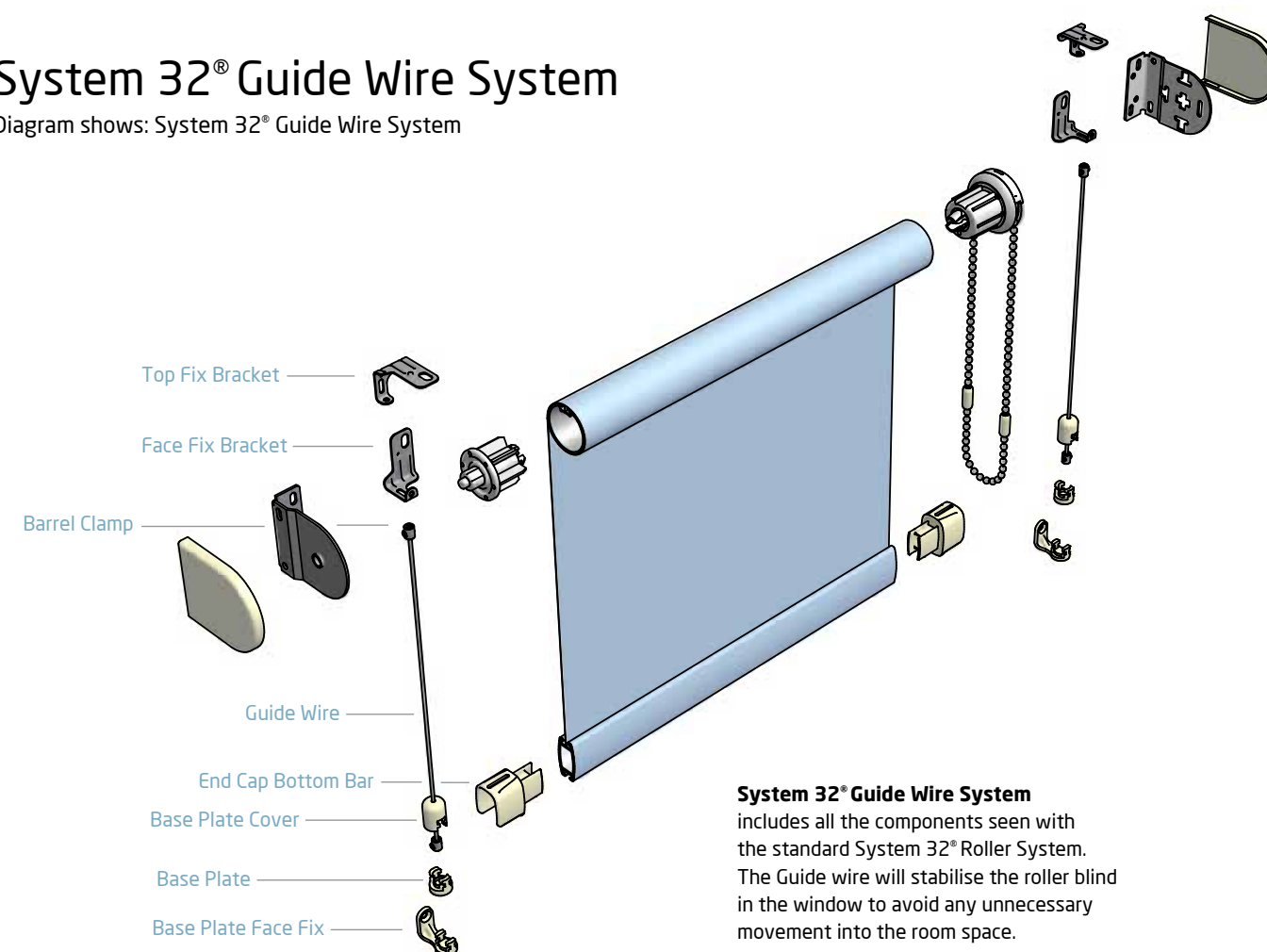
System 32® Roller System

Diagram shows: System 32®, Face Fix - Standard Metal Bracket



System 32® Guide Wire System

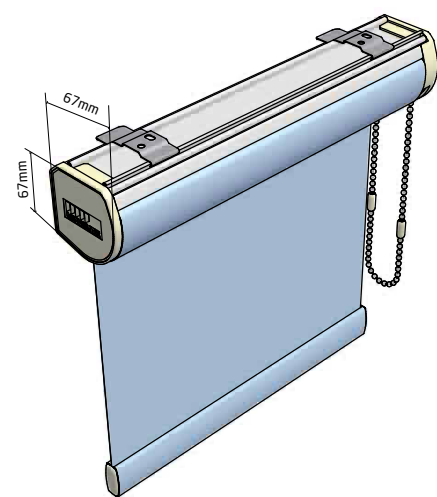
Diagram shows: System 32® Guide Wire System



System 32® Guide Wire System includes all the components seen with the standard System 32® Roller System. The Guide wire will stabilise the roller blind in the window to avoid any unnecessary movement into the room space.

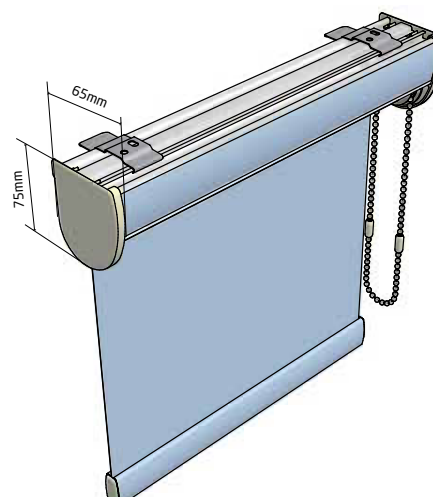
Additional options

System 32® Closed Cassette system



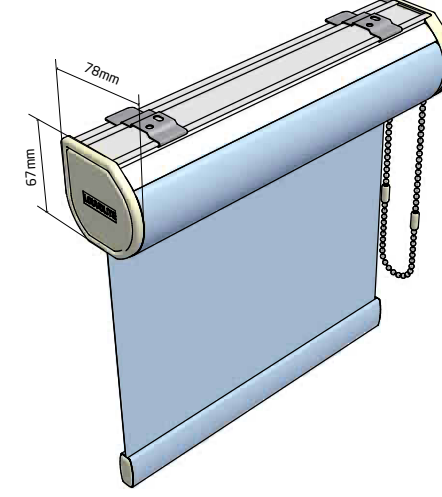
Closed Cassette
All component parts and fabric are enclosed within a rounded fascia resulting in a compact, robust system with a streamlined appearance. Fast, multiple installations can be achieved using top fix or face fix brackets that can be fitted along the whole length of the cassette. The snap fix fascia can be white, cream, grey or black or with a matching fabric profile.

System 32® Open Cassette system



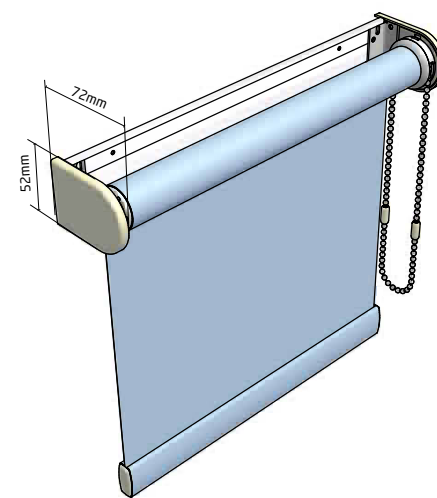
Open Cassette
All component parts and fabric are enclosed within a sleek cassette system. Fast, multiple installations can be achieved using top fix or face fix brackets that can be fitted along the whole length of the cassette. The single piece fascia can be white, cream, grey or black or with a matching fabric profile.

System 32® and System 40® Hybrid Cassette



Hybrid Cassette
All component parts and fabric are enclosed within a rounded fascia resulting in a compact, robust system with a streamlined appearance. Fast, multiple installations can be achieved using top fix or face fix brackets that can be fitted along the whole length of the cassette. The snap fix fascia can be white, cream, grey or black or with a matching fabric profile. Available for System 32® and System 40®.

Back bar mounting plate/brackets



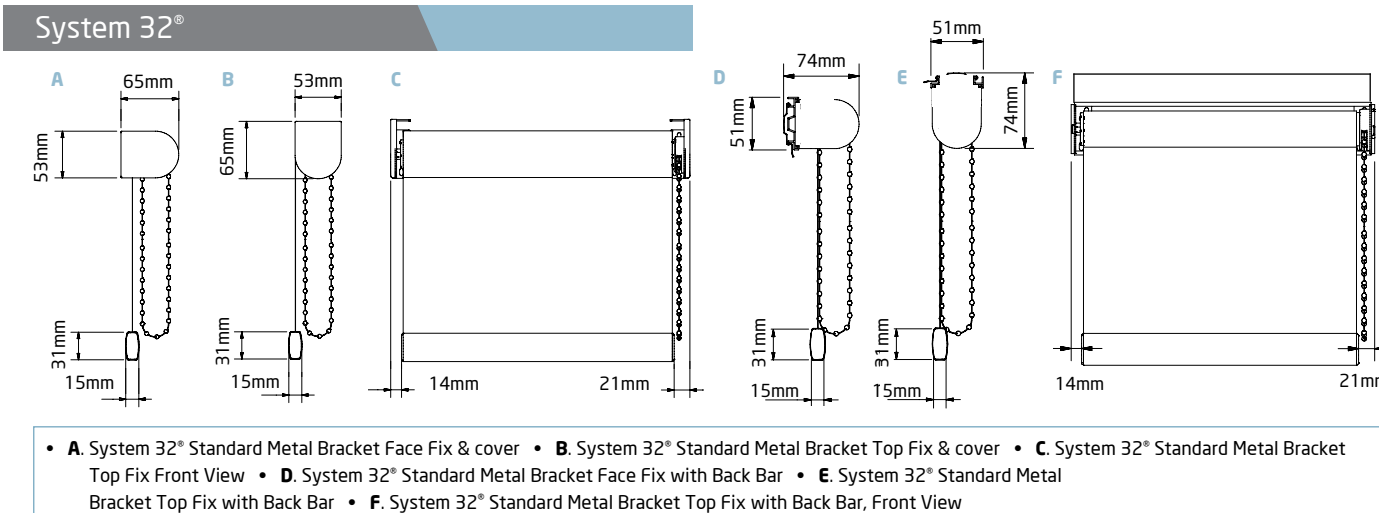
Back Bar Mounting Plate/ brackets
Stove enamelled finish on galvanised steel. The mounting brackets are designed to allow top or face fix installations. The bracket design enables quick and simple installation whilst minimising the light gap between the blind and the recess.

Louvolite Side Control Systems Maximum Recommended Blind Size

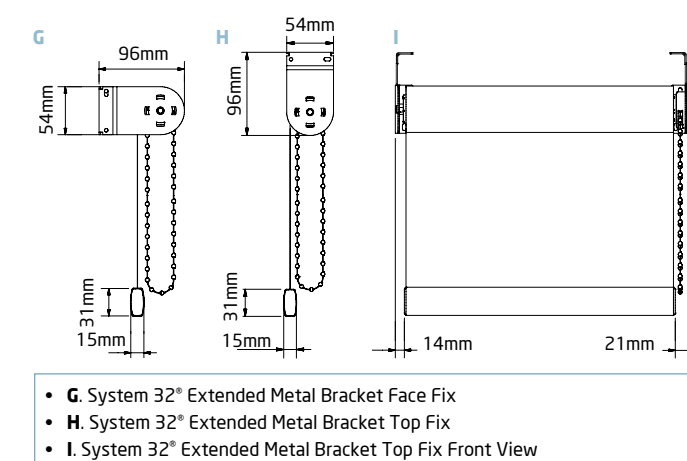
System	Fabric Group	Blind Width (metres)							
		0.50	1.00	1.50	2.00	2.50	3.00	3.50	
System 32® (Blue Pin)	up to 200 g/m sq	4.00	4.00	4.00	4.00				
	200 > 320 g/m sq	3.00	3.00	3.00	3.00				
	320 > 485 g/m sq	4.00	3.00	3.10	2.15				
System 40®	up to 200 g/m sq	5.00	5.00	5.00	5.00	5.00			
	200 > 320 g/m sq	3.75	3.75	3.75	3.75	3.75			
	320 > 485 g/m sq	5.00	5.00	5.00	3.55	2.70			
System 40+®	up to 200 g/m sq	5.00	5.00	5.00	5.00	5.00			
	200 > 320 g/m sq	3.75	3.75	3.75	3.75	3.75			
	320 > 485 g/m sq	5.00	5.00	5.00	3.55	2.70			
System 45®	up to 200 g/m sq	6.00	6.00	6.00	6.00	6.00	4.50		
	200 > 320 g/m sq	4.75	4.75	4.75	4.75	4.75	2.80		
	320 > 485 g/m sq	6.00	6.00	6.00	5.00	4.00	1.85		
System 45+® (Heavy Duty Tube)	up to 200 g/m sq	6.00	6.00	6.00	6.00	6.00	6.00	6.00	
	200 > 320 g/m sq	4.75	4.75	4.75	4.75	4.75	4.75	4.00	
	320 > 485 g/m sq	6.00	6.00	6.00	5.00	4.00	3.25	2.70	

Maximum Blind Drop (metres)

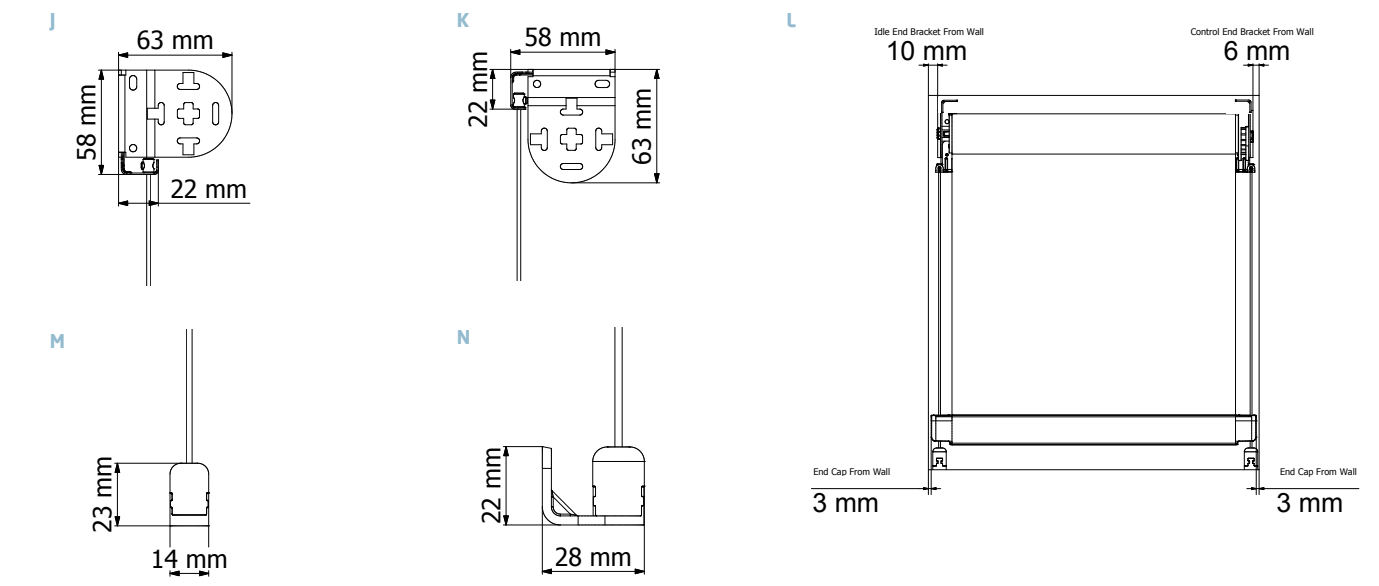
System 32® - Bracket Dimensions



System 32® Extension Bracket



System 32® Guide Wire



• J. System 32® Guide Wire Bracket Face Fix • K. System 32® Guide Wire Bracket Top Fix • L. System 32® Guide Wire Bracket Top Fix Front View
• M. System 32® Guide Wire Base Plate • N. System 32® Guide Wire Base Plate - Face Fix